

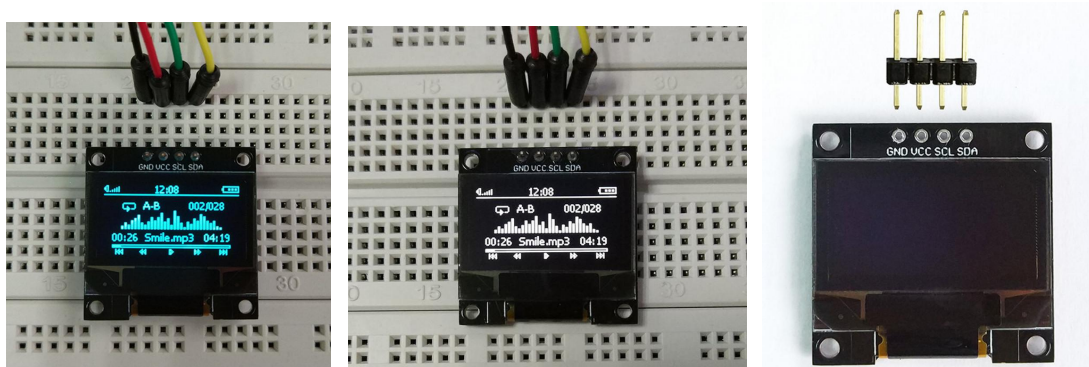
Description:

ENH-0.96 inch OLED,white on black,blue on black,Yellow-blue on black could be chose,I2C interface,Drive IC SSD1306,4 PIN connector,128x64 resolution.Shenzhen Enrich Electronics Co.,Ltd could manufacture smaller size from 0.42 to 1.54 inch OLED.

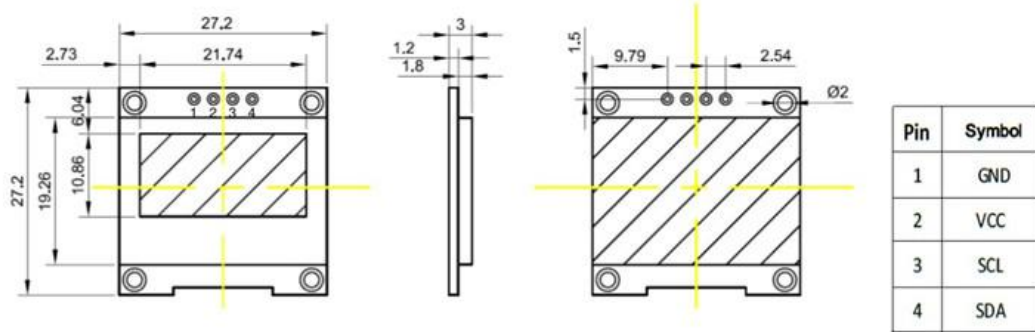
Specification:

1.Product name :	ENH0.96 Inch OLED
2.Size:	27.2X27.2mm
3.Viewing area :	26.7X19.26mm
4.Active area :	21.744X10.864mm
5.Resolution:	128X64
6.Pixel Pitch :	0.17x0.17mm
7.Viewing angle:	Fulling angle
8.Drive method :	1/64 duty
9.Working temp :	-40℃~+85℃
10.Storage temp :	-45℃~+90℃
11.Connector:	COG+FPC
12.Drive IC :	SSD1306
13.Backlight :	N/C
14.Interface:	I2C
15.Pixel size:	0.154x0.154mm

Detail images:



Display drawing:



Customer's Application:



LCD for Smartable door lock



LCD for e-cigs

FAQ:

1. Q:Where can I get the data-sheet?
A: Just Contact our sales cassie@rxdisplay.com ,she will send you at once.
2. Q:Do you have 0.96 inch OLED only with the glass?
A: Yes,we have.Samples are also available.
3. Q:What payment your company support?
A:Payal or T/T both OK.

Contact us:



Shenzhen Enrich Electronics Co.,Ltd



Cassie Huang

[Tel:+86-755-27864416](tel:+86-755-27864416)

Fax:+86-755-27864653

Mobile: +86 159 8936 6182

Email: cassie@rxdisplay.com

Wechat: 18296551775

Whatsapp: + 86 182 9655 1775

Skype:live:cassie_1191